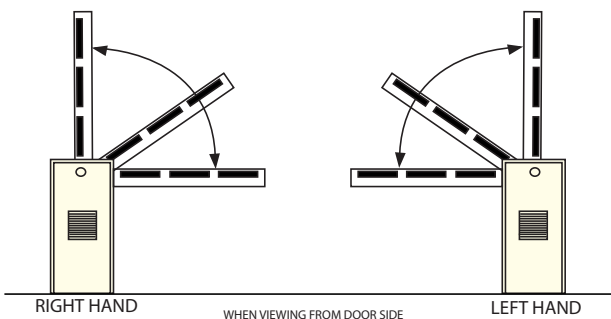
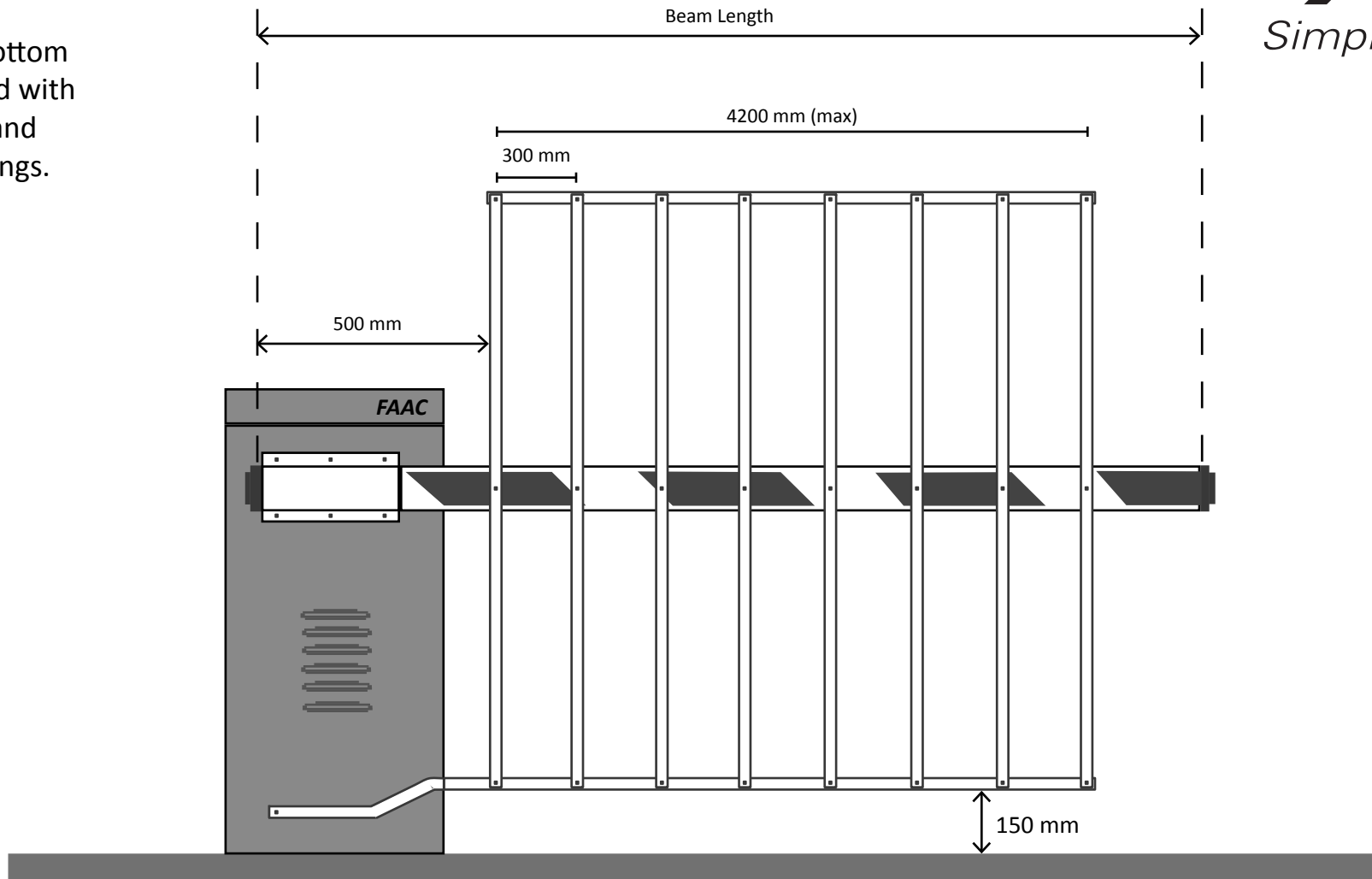


# Top & Bottom Skirt

Note: Top & bottom skirt is supplied with max 15 poles and associated fittings.



Beam Length (max 5m)  
\_\_\_\_\_ m

Barrier hand required

- Right Hand  
 Left Hand

Company	
Name	
Position	
Signature	